



## Dell Precision<sup>TM</sup> WorkStation 220 Systems Service Manual

[Desktop Chassis — Removing and Replacing Parts](#)

[Mini Tower Chassis — Removing and Replacing Parts](#)

---

### Notes, Notices, and Cautions

Throughout this guide, blocks of text may be accompanied by an icon and printed in bold type or in italic type. These blocks are notes, notices, and cautions, and they are used as follows:



*NOTE: A NOTE indicates important information that helps you make better use of your system.*

**NOTICE: A NOTICE indicates either potential damage to hardware or loss of data and tells you how to avoid the problem.**



**CAUTION: A CAUTION indicates a potentially hazardous situation which, if not avoided, may result in minor or moderate injury.**

---

Information in this document is subject to change without notice.  
© 1999 Dell Computer Corporation. All rights reserved.

Reproduction in any manner whatsoever without the written permission of Dell Computer Corporation is strictly forbidden.

Trademarks used in this text: *Dell*, *Dell Precision*, and the *DELL* logo are trademarks of Dell Computer Corporation.

Other trademarks and trade names may be used in this document to refer to either the entities claiming the marks and names or their products. Dell Computer Corporation disclaims any proprietary interest in trademarks and trade names other than its own.

---

*Initial release: 30 Nov 1999*  
*Last revised: 26 Oct 2000*

[Back to Contents Page](#)

## Desktop Chassis — Removing and Replacing Parts: Dell Precision™ WorkStation 220 Systems Service Manual

<a href="#">Overview</a>	<a href="#">Control Panel</a>
<a href="#">Recommended Tools</a>	<a href="#">Chassis Intrusion Switch</a>
<a href="#">Precautionary Measures</a>	<a href="#">Drives</a>
<a href="#">Restarting the System</a>	<a href="#">System Power Supply</a>
<a href="#">Computer Cover</a>	<a href="#">System Board Components</a>
<a href="#">Interior Service Label</a>	<a href="#">RIMMs</a>
<a href="#">Internal View</a>	<a href="#">Microprocessor/Heat Sink Assembly</a>
<a href="#">Front-Panel Inserts</a>	<a href="#">Microprocessor Cooling Fan</a>
<a href="#">Expansion Cards</a>	<a href="#">System Battery</a>
<a href="#">Expansion-Card Guide</a>	<a href="#">System Board</a>

---

### Overview

This section provides procedures for removing and replacing the components, assemblies, and subassemblies in the Dell Precision WorkStation 220 desktop chassis system.

Unless otherwise noted, each procedure assumes that the following conditions exist:

- 1 You have performed the steps in "[Precautionary Measures](#)."
- 1 You have [removed the computer cover](#).
- 1 You can replace or reinstall a part by performing the removal procedure in reverse order unless additional information is provided.

---

### Recommended Tools

The procedures in this file require the use of a #2 Phillips-head screwdriver.

Also, use a wrist grounding strap as explained in "[Precautionary Measures](#)."

---

### Precautionary Measures

Before you perform any procedure in this section, take a few moments to read the following caution for your personal safety and to prevent damage to the system from electrostatic discharge (ESD).

 **CAUTION: FOR YOUR PERSONAL SAFETY AND PROTECTION OF THE EQUIPMENT**

**Before you start to work on the system, perform the following steps in the sequence listed:**

1. Turn off the computer and all peripherals.
2. Disconnect the computer and peripherals from their AC power sources. Also, disconnect any telephone or telecommunication lines from the computer. Doing so reduces the potential for personal injury or shock.
3. If you are disconnecting a peripheral from the computer or are removing a component from the system board, wait 10 to 20 seconds after disconnecting the computer from AC power before disconnecting the peripheral or removing the component to avoid possible damage to the system board.
4. Wear a wrist grounding strap, and clip it to an unpainted metal surface, such as the padlock loop on the back of the chassis. If a wrist grounding strap is not available, touch any unpainted metal surface on the back of the computer or on the computer chassis, such as the power supply, to discharge any static charge from your body before touching anything inside the computer. While you work, periodically touch an unpainted metal surface on the computer chassis to dissipate any static electricity that might harm internal

components. Also avoid touching components or contacts on a card and avoid touching pins on a chip.


5. Verify that the standby power light-emitting diode (LED) on the system board is not on. If it is on, you may need to wait 10 to 30 seconds for it to go out (see [Figure 21](#) or the internal service label).

---

## Restarting the System


To restart the system and reset the chassis intrusion detector, perform the following steps:

1. Replace the computer cover and reconnect the computer and peripherals to their power sources and turn them on.

 **NOTE:** When you start the system, the chassis intrusion detector will cause the following message to be displayed at the next system start-up:

ALERT! Cover was previously removed.

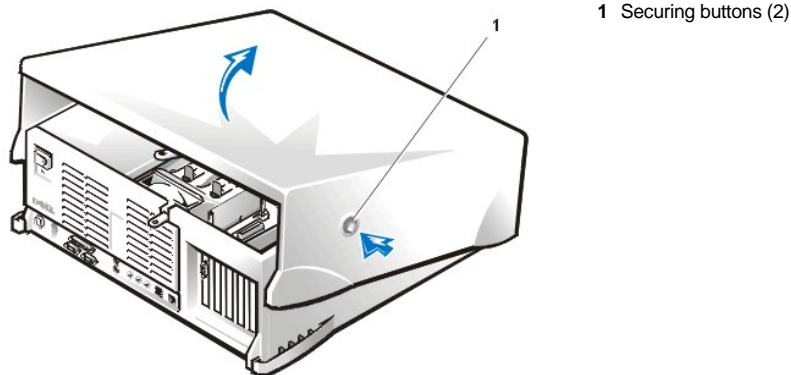
2. To reset the chassis intrusion detector, enter System Setup, select **System Security**, and reset **Chassis Intrusion** to **Enabled** or **Enabled-Silent**.

 **NOTE:** If a setup password has been assigned by someone else, contact the network administrator for information on resetting the chassis intrusion detector.

---

## Computer Cover

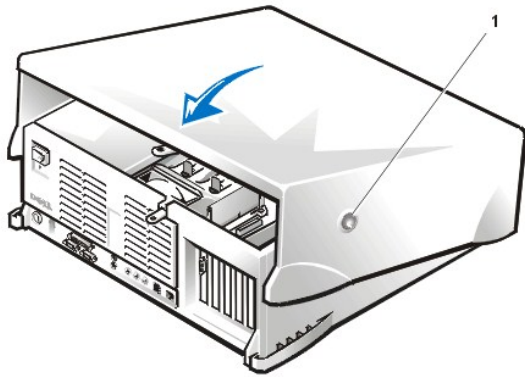
Figure 1. Computer Cover Removal



To remove the computer cover, perform the following steps:

1. Turn off your computer and peripherals, and observe the *Caution for Your Personal Safety and Protection of the Equipment* described in "[Precautionary Measures](#)."
2. If you have installed a padlock through the padlock ring on the back panel, remove the padlock.
3. Press in on the two securing buttons until the cover is free to swing up (see [Figure 1](#)).
4. Raise the back of the cover, and pivot it toward the front of the computer.
5. Lift the cover off the hooks at the front of the chassis.

Figure 2. Computer Cover Replacement



1 Securing buttons (2)

To replace the computer cover, perform the following steps:

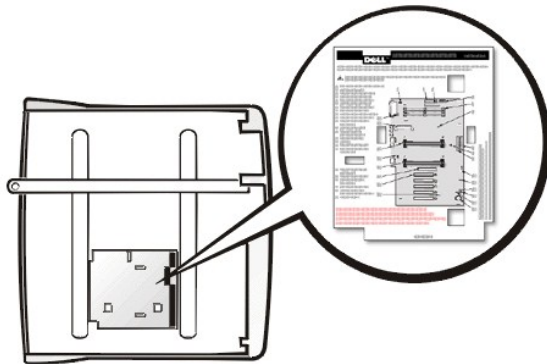
1. Check all cable connections, especially those that might have come loose during your work. Fold cables out of the way so that they do not catch on the computer cover. Make sure cables are not routed over the drive bracket—they will prevent the cover from closing properly.
2. Facing the left side of the computer, hold the cover at a slight angle as shown in [Figure 2](#).
3. Fit the three cover hooks into the rectangular slots on the chassis. (It might be helpful to look down into the chassis to verify that the hooks are in place.)
4. Pivot the cover down toward the back and into position. Make sure that the two securing buttons click into place.

---

### Interior Service Label

Figure 3 shows the location of the interior service label on the inside of the top cover. This label shows the location of components within the chassis and locations of system board components and connectors. It also contains an important notice that provides instructions you need to follow to help prevent damage to your system board while you troubleshoot and service the computer system.

Figure 3. Interior Service Label

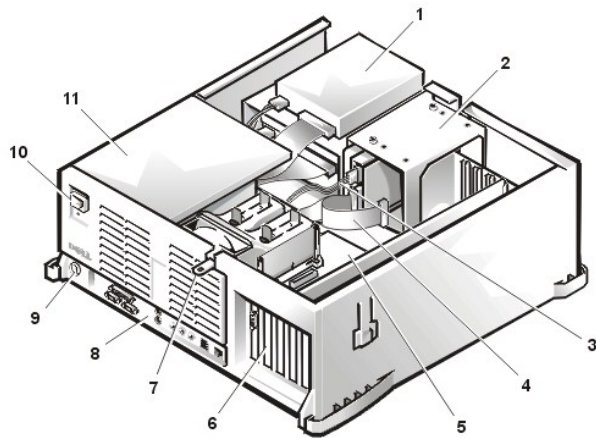


---

### Internal View

Figure 4 shows the chassis with the cover removed.

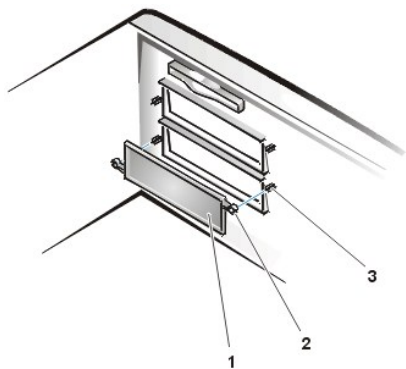
Figure 4. Inside the Chassis



- 1 Externally accessible drive bays
- 2 Hard-disk drive bracket
- 3 DC power cable
- 4 Drive data cable
- 5 System board
- 6 Expansion card slots
- 7 Padlock ring
- 8 I/O panel connectors
- 9 Security cable slot
- 10 AC power receptacle
- 11 Power supply

## Front-Panel Inserts

**Figure 5. 5.25-Inch Front-Panel Insert Removal**



- 1 5.25-inch front-panel insert
- 2 Ring tabs (2)
- 3 Posts (2)


To remove a 5.25-inch front-panel insert, perform the following steps:

1. Position the computer top cover upside down, with the front facing you.
2. From the front of the top cover, use your thumbs to press inward on the insert until it snaps free of the cover.

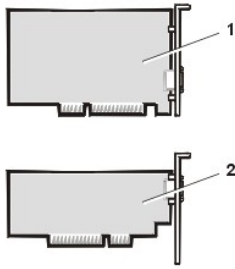
To replace a 5.25-inch front-panel insert, position the two ring-tabs over the posts on the inside of the bay opening, and then press the ring tabs over the posts.

## Expansion Cards

The system accommodates up to six expansion cards, including up to five 32-bit Peripheral Component Interconnect (PCI) expansion cards and one 32-bit accelerated graphics port (AGP) card. (See [Figure 6](#) for examples of these cards.)

 **NOTE:** Before disconnecting a peripheral from the system or removing a component from the system board, disconnect the power cable and verify that the standby power LED on the system board is off. For the location of this LED, see [Figure 21](#).

**Figure 6. Expansion Cards**



- 1 32-bit PCI expansion card
- 2 32-bit AGP card

### Expansion-Card Removal

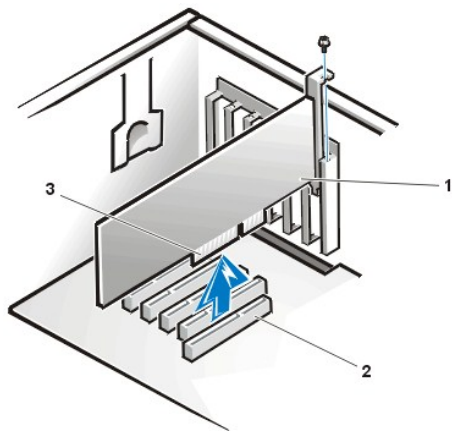
To remove an expansion card, perform the following steps.

**⚠ CAUTION:** Before you remove the computer cover, see "[Precautionary Measures.](#)"

1. Remove the [computer cover](#).
2. Disconnect any cables connected to the card.
3. Unscrew the mounting bracket of the card you want to remove (see [Figure 7](#)).
4. Grasp the card by its outside corners, and ease it out of its connector.
5. If you are removing the card permanently, install a metal filler bracket over the empty card-slot opening.

**🔧 NOTE:** Installing filler brackets over empty card-slot openings is necessary to maintain Federal Communications Commission (FCC) certification of the system. The brackets also keep dust and dirt out of your computer.

**Figure 7. Expansion Card Removal**

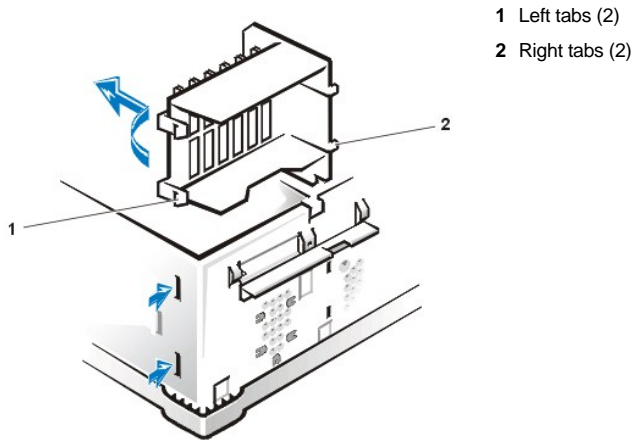


- 1 Expansion card
- 2 Expansion-card connector
- 3 Card edge connector

---

### Expansion-Card Guide

**Figure 8. Expansion-Card Guide Removal**



- 1 Left tabs (2)
- 2 Right tabs (2)

To remove the expansion-card guide, complete the following steps:

1. [Remove the hard-disk drive bracket.](#)
2. Face the computer from the front.

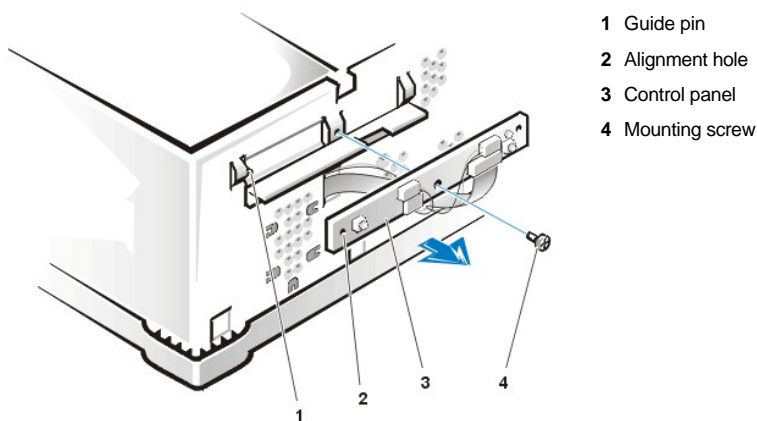
From the outside of the chassis, press in with your fingers on the two tabs on the left side of the expansion-card guide (see [Figure 8](#)). This will release the left tabs of the card guide from the chassis.

3. Rotate the released side of the card guide away from the chassis.

The left side of the card guide will swing away from the chassis. With the left side of the card guide away from the chassis, you can then pull the card guide back and out of the chassis, which releases the two right tabs.

## Control Panel

Figure 9. Control Panel Removal



- 1 Guide pin
- 2 Alignment hole
- 3 Control panel
- 4 Mounting screw

To remove the control panel, perform the following steps:

1. Disconnect the control-panel ribbon cable from the PANEL connector on the system board (see [Figure 21](#) or the internal service label for the location of the PANEL connector).
2. [Remove the hard-disk drive bracket.](#)
3. [Remove the expansion-card guide.](#)
4. Feed the control-panel ribbon cable through the opening on the floor of the chassis and the opening in the wall of the chassis.
5. Disconnect the speaker and chassis intrusion switch connections.
6. Remove the mounting screw.

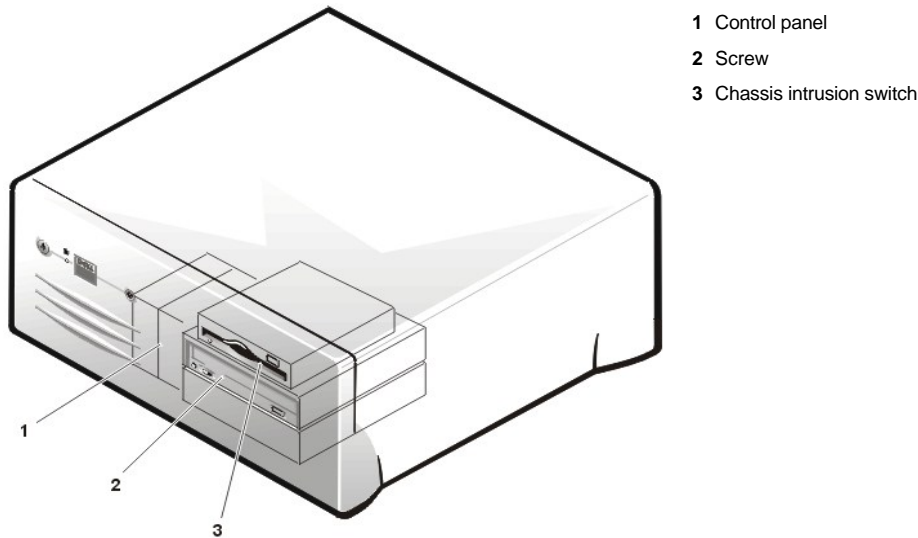
7. Lift the control panel and control-panel ribbon cable free.

To reinstall the control panel, perform the removal procedure in reverse.

When you reinstall the control panel, be sure to align the control panel alignment hole and the guide pin located on the left side of the chassis front.

## Chassis Intrusion Switch

Figure 10. Chassis Intrusion Switch Removal



**⚠ CAUTION:** Before you remove the computer cover, see "[Precautionary Measures](#)"

To remove the chassis intrusion switch, perform the following steps:

1. From inside the chassis, slide the chassis intrusion switch to the side to release it from the chassis.
2. Disconnect the chassis intrusion switch cable connector from the control panel (see [Figure 9](#)).
3. Remove the chassis intrusion switch and cable from the chassis.

Note the routing of the chassis intrusion cable to ensure the replacement is routed in the same manner.

4. Install the replacement chassis intrusion switch.
5. Replace the computer cover. Then reconnect your computer and peripherals to their power sources, and turn them on.

**✔ NOTE:** After you remove and replace the cover, the chassis intrusion detector will cause the following message to be displayed at the next system start-up:

ALERT! Cover was previously removed.

6. To reset the chassis intrusion detector, enter System Setup, select **System Security**, and reset **Chassis Intrusion** to **Enabled** or **Enabled-Silent**.

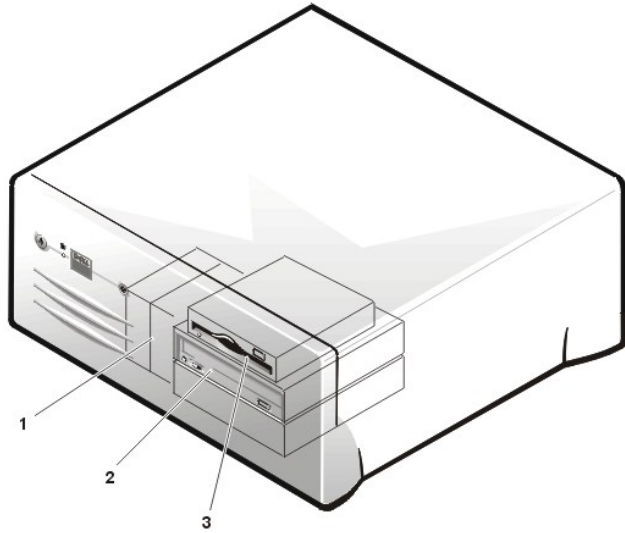
---

## Drives

**✔ NOTE:** In all of the following procedures, left and right refer to your left and right as you face the front of the computer.

Figure 11. Drive Locations





- 1 Hard-disk drives
- 2 5.25-inch drives
- 3 3.5-inch diskette drive

### 3.5-Inch Diskette Drive Removal

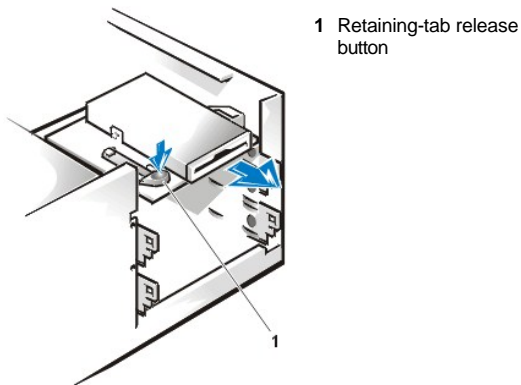
To remove the 3.5-inch diskette drive assembly, perform the following steps.

**⚠ CAUTION:** Before you remove the computer cover, see "[Precautionary Measures.](#)"

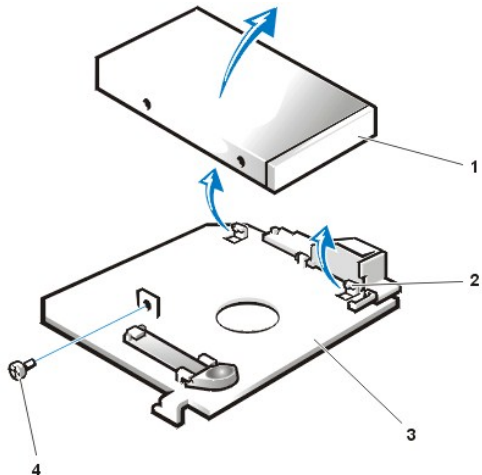
1. Remove the [computer cover](#).
2. Disconnect the DC power and data cables from the diskette drive.
3. Press the green diskette drive retaining-tab release button (see [Figure 11](#)) and pull the drive assembly forward to remove it.
4. Remove the mounting screw (see [Figure 12](#)).
5. Rotate the diskette drive upward and lift it free.

When you replace the 3.5-inch diskette drive on the bracket, be sure that the two retaining tabs on the right side of the bracket engage the mounting holes in the side of the 3.5-inch diskette drive. Rotate the drive down. Then replace the screw that holds the diskette drive to the bracket. To replace the 3.5-inch diskette drive assembly in the chassis, slide the retaining tabs into the guides on the chassis until the bracket snaps into place.

**Figure 11. 3.5-Inch Diskette Drive Removal**



**Figure 12. 3.5-Inch Diskette Drive Bracket**



- 1 3.5-inch diskette drive
- 2 Retaining tabs (2)
- 3 Bracket
- 4 Screw

**5.25-Inch Drive Removal**

To remove a device from an externally accessible drive bay, perform the following steps.

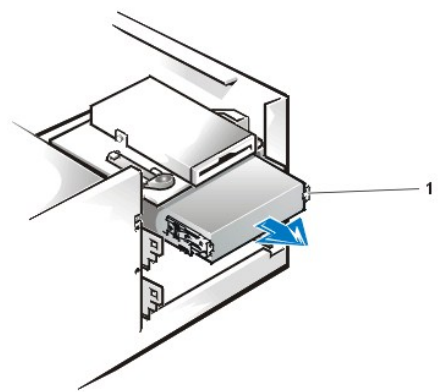
**⚠ CAUTION:** Before you remove the computer cover, see "[Precautionary Measures.](#)"

1. [Remove the computer cover.](#)
2. Disconnect the DC power and data cables from the back of the drive.
3. Squeeze the retaining tabs that extend from each side of the drive bracket and slide the bracket out of the bay (see [Figure 13](#)).
4. Turn the drive assembly upside down and unscrew the four screws that secure the drive to the bracket (see [Figure 14](#)).

**🔧 NOTE:** For easier access inside the chassis, you may want to [rotate the power supply](#) out of the way temporarily.

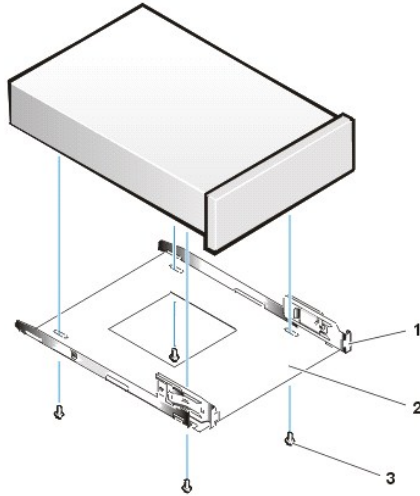
To install a 5.25-inch drive, perform the [5.25-inch drive removal](#) procedure in reverse.

**Figure 13. 5.25-Inch Drive Removal**



- 1 Retaining tabs (2)

**Figure 14. Drive Bracket**



- 1 Retaining tabs (2)
- 2 Drive bracket
- 3 Screws (4)

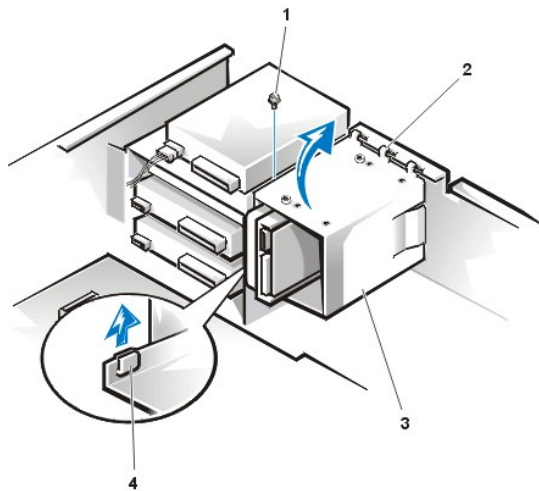
### Hard-Disk Drive Removal

To remove a hard-disk drive from the internally accessible drive bracket, perform the following steps.

**⚠ CAUTION:** Before you remove the computer cover, see "[Precautionary Measures](#)."

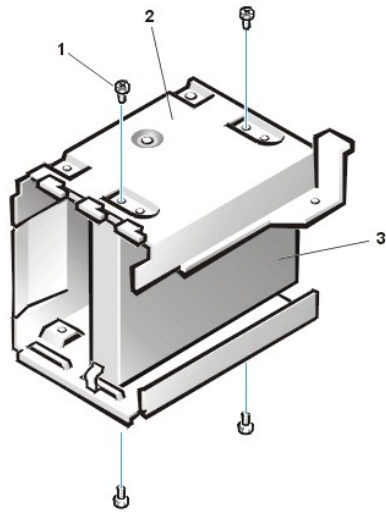
1. Remove the [computer cover](#).
2. Disconnect the DC power cable and data cable from the drive.
3. Remove the screw holding the hard-disk drive bracket to the drive bay.
4. Rotate the drive bracket upward to disengage it from the latch on the drive bay, slide it to the left, and lift it out of the chassis. (see [Figure 15](#)).

**Figure 15. Hard-Disk Drive Bracket Removal**



- 1 Screw
- 2 Hooks (3)
- 3 Drive bracket
- 4 Latch on drive bay

**Figure 16. Hard-Disk Drive Removal**



- 1 Screws (4)
- 2 Drive bracket
- 3 Hard-disk drive

5. Remove the four screws that secure the hard-disk drive to the drive bracket.
6. Remove the hard-disk drive from the bracket.

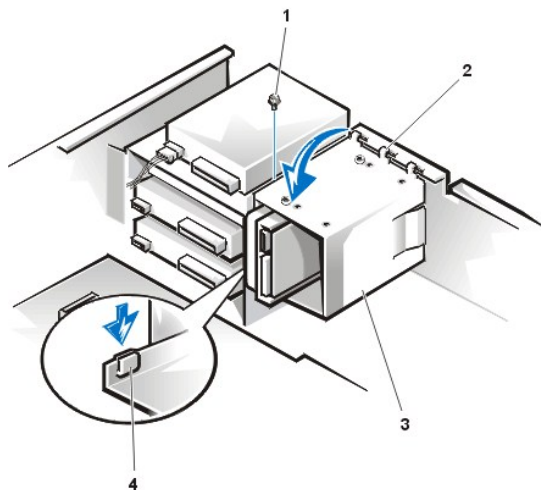
#### Hard-Disk Drive Replacement

To install a replacement hard-disk drive, perform the following steps:

1. Slide the replacement drive into the chosen bay of the drive bracket, oriented so that the connectors on the back of the drive will face the back of the chassis when the drive bracket is reinstalled (see [Figure 16](#)).
2. Align the four screw holes of the drive with the holes in the drive bracket. Insert and tighten the screws (see [Figure 16](#)).
3. Reinstall the hard-disk drive bracket in the chassis (see [Figure 17](#)).

Insert the drive bracket into the chassis by inserting the hooks in the slots on the front of the chassis and sliding the drive bracket to the right. Then lower the drive bracket to the bottom of the chassis, making sure that the latch on the drive bay is engaged. Replace the screw holding the drive bracket to the drive bay.

**Figure 17. Inserting the Drive Bracket**




- 1 Screw
- 2 Hooks (3)
- 3 Drive bracket
- 4 Latch

4. Connect a DC power cable to the power input connector on the back of the drive (see [Figure 18](#)).

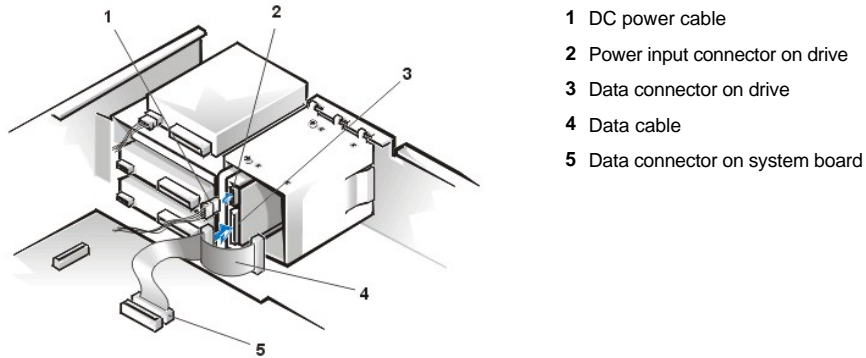
Check all connectors to be certain that they are properly cabled and firmly seated.

5. Connect one of the device connectors on the data cable to the 40-pin interface connector on the back of the hard-disk drive.

**NOTICE:** You must match the colored strip on the data cable with pin 1 on the drive's interface connector to avoid possible damage to your system.

 **NOTE:** Ultra ATA/66 hard-disk drives require an 80-conductor cable to transfer data at full speed. The 80-conductor cable has a 40-pin connector just like the Ultra ATA/33 cable but has twice as many wires within the cable itself. If you use an Ultra ATA/33 cable with Ultra ATA/66 hard-disk drives, the drives will transfer data at Ultra ATA/33 speeds.

**Figure 18. Attaching Hard-Disk Drive Cables**



6. If it is not already connected, connect the other end of the data cable to the data connector on the system board.

**NOTICE:** You must match the colored strip on the data cable with pin 1 on the data connector to avoid possible damage to your system.

7. [Replace the computer cover](#) and [restart the system](#).
8. If the drive you just installed is the primary drive, insert a bootable diskette into drive A.
9. Enter System Setup, and update **Primary Drive 0** or **Primary Drive 1**.  
After you update the System Setup settings, reboot the system.
10. Partition and logically format your drive before proceeding to the next step.  
See the documentation for your operating system for instructions.
11. Test the hard-disk drive by running the Dell Diagnostics (see the online *System User's Guide* for more information).
12. If the drive you just installed is the primary drive, install your operating system on the hard-disk drive.  
Refer to the documentation that came with your operating system.

---

## System Power Supply

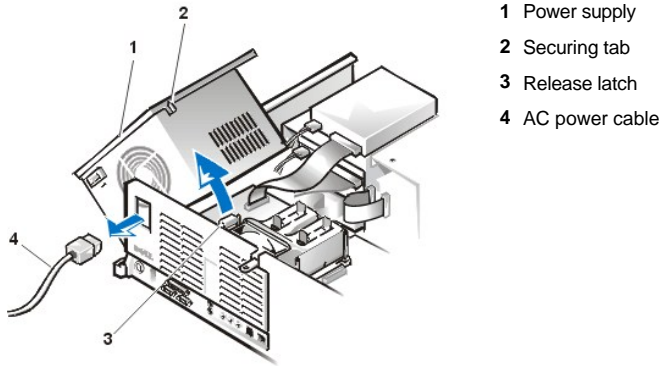
### System Power Supply Rotation

To access some components on the system board, you may have to rotate the system power supply out of the way. To rotate the power supply, perform the following steps.

 **CAUTION:** Before you remove the computer cover, see "[Precautionary Measures](#)."

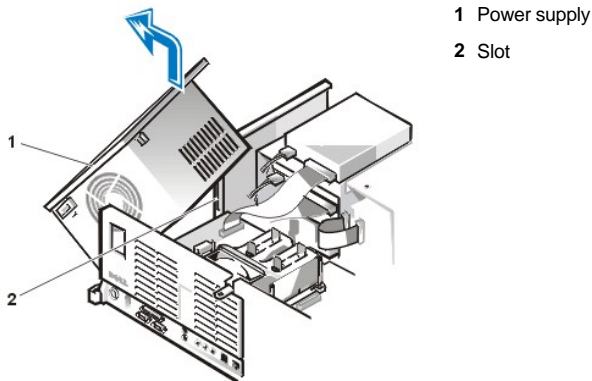
1. Remove the [computer cover](#).
2. Disconnect the AC power cable from the AC power receptacle on the back of the power supply (see [Figure 19](#)).

**Figure 19. System Power Supply Rotation**



- Free the power supply from the securing tab labeled "RELEASE ->," and rotate it upward until it locks in its extended position.

**Figure 20. Power Supply Removal**



To remove the system power supply, perform the following steps:

- [Rotate the system power supply.](#)
- Disconnect the power cables from all drives.
- Remove the power supply cables from the system board.
- Lift the front of the power supply until it stops. Then rotate the power supply away from the chassis.  
The pivot pin raises and exits the chassis with this action.
- Lift the power supply out of the chassis.

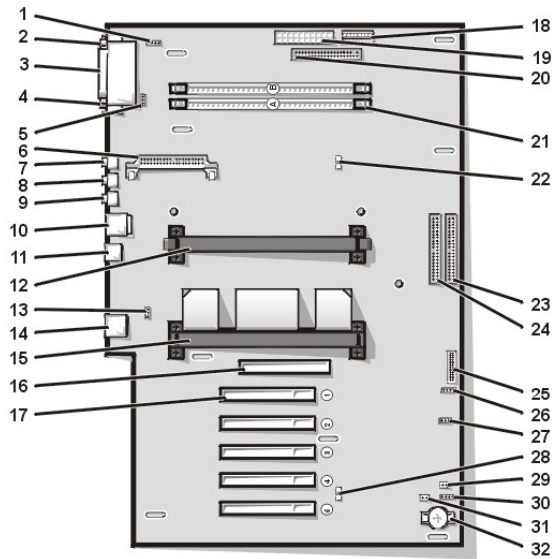
### System Power Supply Installation

To reinstall the system power supply, align the swivel points at the rear of the power supply with the holes in the chassis and power-supply support arm. Then perform the [removal procedure](#) in reverse.

### System Board Components

Figure 21 shows the system board and the location of all its sockets and connectors.

**Figure 21. System Board Components**

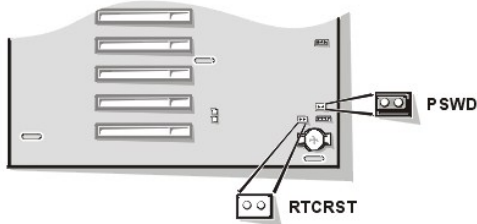


- 1 CD-ROM drive audio interface connector
- 2 Serial port 1 connector
- 3 Parallel port connector
- 4 Serial port 2 connector
- 5 Fan connector
- 6 VRM connector
- 7 Microphone connector
- 8 Line-out connector
- 9 Line-in connector
- 10 Keyboard and mouse connectors
- 11 USB connectors
- 12 Secondary processor (PROC\_1) connector
- 13 Telephony connector
- 14 NIC connector
- 15 Primary processor (PROC\_0) connector
- 16 AGP connector
- 17 PCI expansion card connectors (5)
- 18 3.3-V power connector
- 19 Power connector
- 20 Diskette-drive interface connector
- 21 RIMM sockets (2)
- 22 Suspend-to-RAM LED
- 23 Primary EIDE interface connector
- 24 Secondary EIDE interface connector
- 25 Control panel connector
- 26 External speaker connector (Not Used)
- 27 Remote Wakeup power connector
- 28 Standby power LED
- 29 Password jumper
- 30 Auxiliary hard-disk drive access indicator connector
- 31 RTCRST jumper
- 32 Battery socket

## System Board Jumpers

Figure 22 shows the location of the jumpers on the system board. [Table 1](#) lists the system board jumpers and their settings.

**Figure 22. System Board Jumpers**








Jumpers are small blocks on a circuit board with two or more pins emerging from them. Plastic plugs containing a wire fit down over the pins. The wire connects the pins and creates a circuit.

**NOTICE: Make sure your system is turned off before you change a jumper setting. Otherwise, damage to your system or unpredictable results may occur.**

To change a jumper setting, pull the plug off its pin(s) and carefully fit it down onto the pin(s) indicated.

**Table 1. System-Board Jumper Settings**

Jumper	Setting	Description
PSWD	 (default)	Password features are enabled.
		Password features are disabled.
RTCST		Real-time clock reset. Can be used for troubleshooting purposes.
 <i>jumpered</i>  <i>unjumpered</i>		

## System Board Labels

Table 2 lists the labels for connectors and sockets on your system board, and it gives a brief description of their functions.

**Table 2. System Board Connectors and Sockets**

Connector or Socket	Description
AUX_LED	Hard-disk drive LED connector
BATT	Battery socket
CD_IN	CD-ROM audio interface connector
RIMM_x	RIMM socket
DSKT	Diskette/tape drive interface connector
ENET	Integrated NIC connector
EXT_SPKR	External speaker connector
FAN	Microprocessor fan connector
IDE <sub>n</sub>	EIDE interface connector
INTRUSION	Chassis intrusion switch connector
KYBD	Keyboard connector
MONITOR	Video connector
MOUSE	Mouse connector
PANEL	Control panel connector
PAR	Parallel port connector; sometimes referred to as <i>LPT1</i>
PCI <sub>n</sub>	PCI expansion-card connector
POWER_1	Main power input connector



POWER_2	3.3-V power input connector
PROC_0	Primary microprocessor connector
PROC_1	Secondary microprocessor connector
SER	Serial port connectors
STANDBY	Standby power LED
STR	Suspend-to-RAM LED
USB	USB connectors
TAPI	Telephony connector
WUOL	Remote Wakeup power connector

## RIMMs

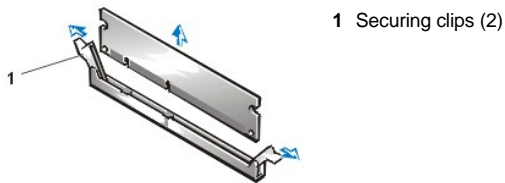
To remove a Rambus in-line memory module (RIMM), perform the following steps.

**⚠ CAUTION:** Before you remove the computer cover, see "[Precautionary Measures.](#)"

**🔧 NOTE:** Before disconnecting a peripheral from the system or removing a component from the system board, disconnect the power cable and verify that the standby power LED on the system board is off. For the location of this LED, see [Figure 21.](#)

1. [Remove the computer cover.](#)
2. [Rotate the system power supply](#) to allow you to access the RIMMs.
3. Press the securing clips outward simultaneously until the RIMM disengages and pops out slightly from the socket (see [Figure 23.](#))

**Figure 23. Removing a RIMM**



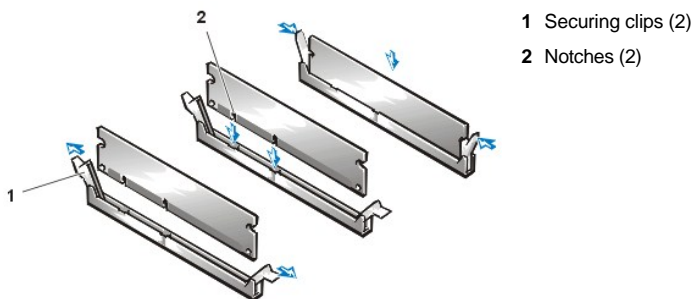
1 Securing clips (2)

To reinstall a RIMM, perform the following steps.

1. Locate the plastic securing clips at each end of the socket (see [Figure 24.](#))
2. Press the clips outward until they snap open.
3. Press the RIMM straight into the slot running down the center of the socket until the securing tabs snap into place around the ends of the RIMM.

After you [replace the computer cover](#) and [restart the system](#), run the Dell Diagnostics to verify that the RIMMs are operating properly.

**Figure 24. Installing a RIMM**



1 Securing clips (2)

2 Notches (2)

## Microprocessor/Heat Sink Assembly

To replace a microprocessor, perform the following steps.

**⚠ CAUTION:** Before you remove the computer cover, see "[Precautionary Measures](#)"

**🔧 NOTE:** Before disconnecting a peripheral from the system or removing a component from the system board, disconnect the power cable and verify that the standby power LED on the system board is off. For the location of this LED, see [Figure 21](#).

1. [Remove the computer cover](#).

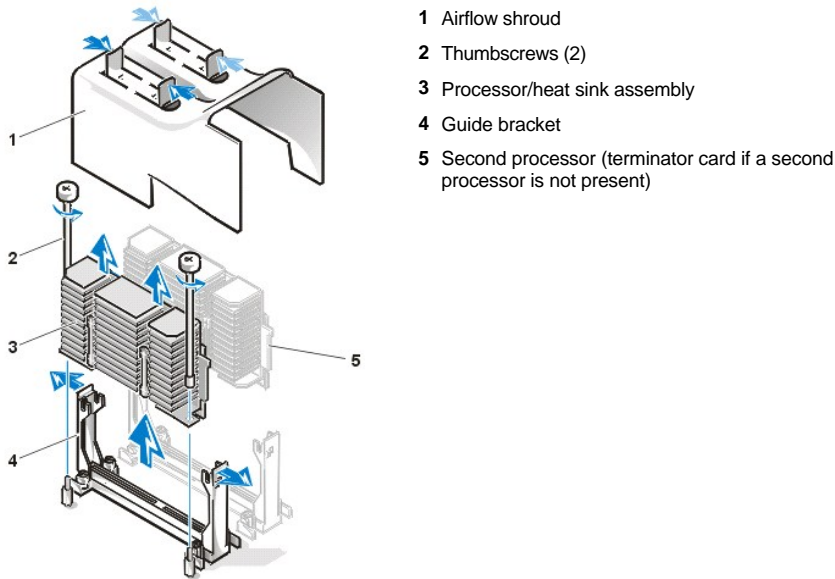
2. Remove the airflow shroud.

Squeeze in on the two pairs of tabs on the shroud and lift it away.

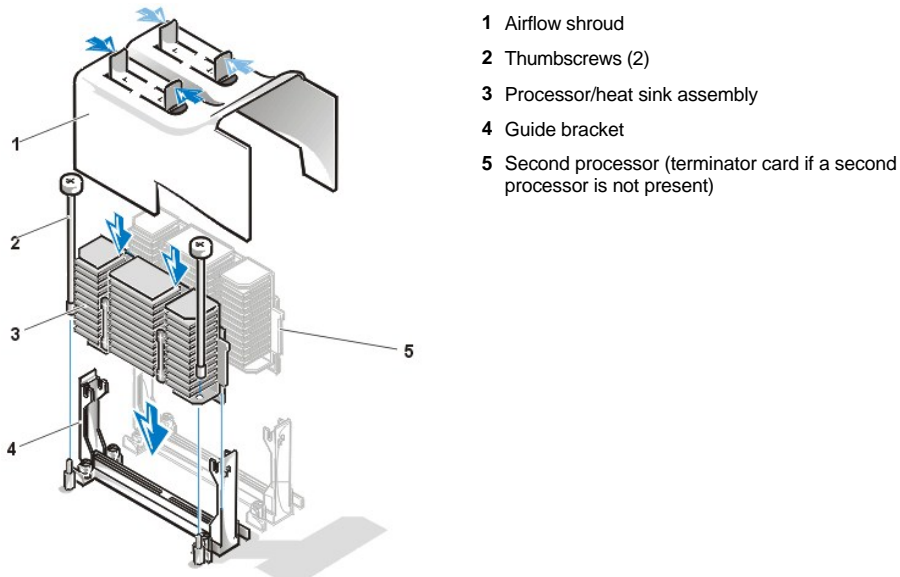
3. Remove the existing microprocessor from its connector.

Press outward on the guide bracket tabs to release them from the processor/heat sink assembly. Then pull the processor/heat sink assembly out of its connector (see [Figure 25](#)). You must use up to 15 lb of force to disengage the processor from the connector.

**Figure 25. Microprocessor Removal**



**Figure 26. Microprocessor Replacement**



To install a replacement microprocessor and heat sink assembly, perform the following steps:

1. Insert the new microprocessor into the system board connector.

Press the processor firmly into its connector until it is fully seated. You must use up to 25 lb of force to fully seat the processor in its connector.

2. Replace the airflow shroud.

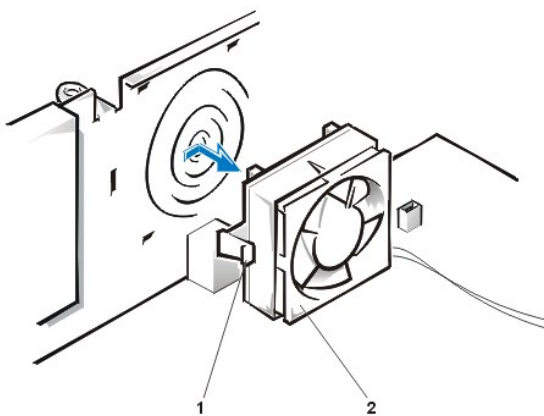
Squeeze in on the two pairs of tabs on the shroud, align it with the slots in the microprocessor fan, and lower it into place.

3. After you [replace the computer cover](#) and [restart the system](#), run the Dell Diagnostics to verify that the new microprocessor is operating correctly.

---

## Microprocessor Cooling Fan

Figure 27. Microprocessor Cooling Fan Removal



1 Plastic locking tab

2 Cooling fan

To remove the microprocessor cooling fan, perform the following steps.

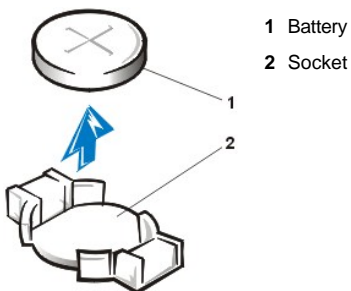
**⚠ CAUTION:** Before you remove the computer cover, see "[Precautionary Measures](#)."

1. [Rotate the system power supply](#).
2. Disconnect the fan power cable from the microprocessor fan connector (see [Figure 27](#)).
3. Gently pull the plastic locking tab, and slide the fan towards the power supply to disengage the four latching tabs holding the fan to the back of the chassis.
4. Pull the fan forward and away from the back panel to remove it.

---

## System Battery

Figure 28. System Battery Removal



1 Battery

2 Socket

**⚠ CAUTION:** There is a danger of the new battery exploding if it is incorrectly installed. Replace the battery only with the same or equivalent type recommended by the manufacturer. Discard used batteries according to the manufacturer's instructions.

To remove the system battery, perform the following steps.

**⚠ CAUTION:** Before you remove the computer cover, see "[Precautionary Measures](#)."

**🔧 NOTE:** Before disconnecting a battery from the system board, disconnect the power cable and verify that the standby power LED on the system board is off. For the location of this LED, see [Figure 21](#).

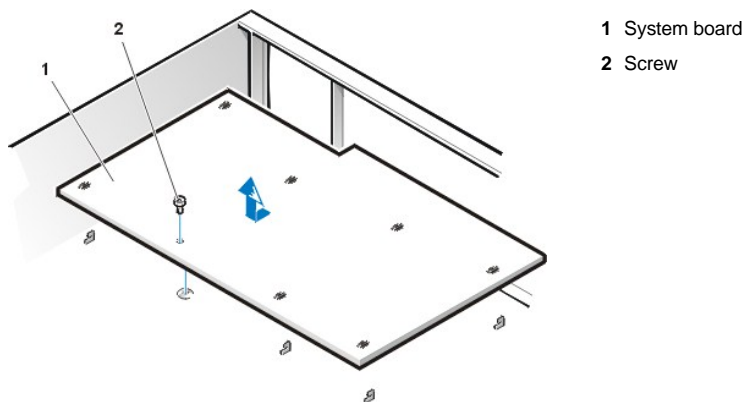
1. If possible, enter System Setup and print the System Setup screens.
2. [Remove the computer cover](#).
3. Remove the system battery by carefully prying it out of its socket with your fingers or with a blunt, nonconducting object such as a plastic screwdriver.

When you replace the system battery, orient the new battery with the "+" facing up. Insert the battery into its socket and snap it into place.

---

## System Board

**Figure 29. System Board Removal**



To remove the system board, perform the following steps.

**🔧 NOTE:** Before disconnecting a peripheral from the system or removing a component from the system board, disconnect the power cable and verify that the standby power LED on the system board is off. For the location of this LED, see [Figure 21](#).

**⚠ CAUTION:** Before you remove the computer cover, see "[Precautionary Measures](#)."

1. [Remove the computer cover](#).
2. Disconnect all cables from their connectors at the back of the computer.
3. [Rotate the system power supply](#).
4. Disconnect all cables from the system board.
5. [Remove the RIMMs](#).
6. [Remove the airflow shroud, the primary processor, and the secondary processor or terminator card](#).
7. [Remove all expansion cards](#) from the system.
8. [Slide all externally accessible drives and brackets partially out of the chassis](#).
9. [Remove the hard-disk drive bracket from the chassis](#).
10. [Remove the microprocessor cooling fan](#).
11. Remove the screw that secures the system board to the bottom of the chassis (see [Figure 29](#)).

12. Slide the system board toward the front of the chassis until it stops.
13. Carefully raise the front of the system board and lift the board out of the chassis at an angle.

To replace the system board, perform the following steps:

1. Carefully replace the system board in the chassis by performing steps 11 through 13 of the removal process in reverse.
2. Push down near each slot to engage the grounding clip onto its corresponding tab.
3. Push evenly on both sides of the system board as you slide and lock it into position (do not twist the system board).
4. Reinstall the mounting screw.
5. Reinstall all components on the system board by performing steps 4 through 10 of the removal process in reverse.
6. Set the jumpers on the new system board so that they are identical to those on the old board, unless you are installing a microprocessor upgrade.
7. Replace the computer cover, connect all cables, and restart the system. Run System Setup to ensure that your settings are correct and that all system board components are correctly reported.
8. Run the Dell Diagnostics.

---

[Back to Contents Page](#)

[Back to Contents Page](#)

## Mini Tower Chassis — Removing and Replacing Parts: Dell Precision™ WorkStation 220 Systems Service Manual

- |  |   |
|--|---|
| <a href="#">Overview</a>               | <a href="#">Expansion Cards</a>                   |
| <a href="#">Recommended Tools</a>      | <a href="#">Expansion-Card Guide</a>              |
| <a href="#">Precautionary Measures</a> | <a href="#">Control Panel</a>                     |
| <a href="#">Restarting the System</a>  | <a href="#">Chassis Intrusion Switch</a>          |
| <a href="#">Computer Cover</a>         | <a href="#">System Power Supply</a>               |
| <a href="#">Interior Service Label</a> | <a href="#">System Board Components</a>           |
| <a href="#">Internal View</a>          | <a href="#">RIMMs</a>                             |
| <a href="#">Front-Panel Inserts</a>    | <a href="#">Microprocessor/Heat Sink Assembly</a> |
| <a href="#">Front Panel</a>            | <a href="#">Microprocessor Cooling Fan</a>        |
| <a href="#">Drives</a>                 | <a href="#">System Battery</a>                    |
| <a href="#">AGP Card Brace</a>         | <a href="#">System Board</a>                      |

---

### Overview

This section provides procedures for removing and replacing the components, assemblies, and subassemblies in the Dell Precision WorkStation 220 mini tower chassis system.

Unless otherwise noted, each procedure assumes that the following conditions exist:

1. You have performed the steps in "[Precautionary Measures](#)."
1. You have [removed the computer cover](#).
1. You can replace or reinstall a part by performing the removal procedure in reverse order unless additional information is provided.

---

### Recommended Tools

The procedures in this file require the use of a #2 Phillips-head screwdriver.

Also, use a wrist grounding strap as explained in "[Precautionary Measures](#)."

---

### Precautionary Measures

Before you perform any procedure in this section, take a few moments to read the following caution for your personal safety and to prevent damage to the system from electrostatic discharge (ESD).

#### CAUTION: FOR YOUR PERSONAL SAFETY AND PROTECTION OF THE EQUIPMENT

**Before you start to work on the system, perform the following steps in the sequence listed:**

1. Turn off the computer and all peripherals.
1. Disconnect the computer and peripherals from their AC power sources. Also, disconnect any telephone or telecommunication lines from the computer. Doing so reduces the potential for personal injury or shock.
2. If you are disconnecting a peripheral from the computer or are removing a component from the system board, wait 10 to 20 seconds after disconnecting the computer from AC power before disconnecting the peripheral or removing the component to avoid possible damage to the system board.
3. Wear a wrist grounding strap, and clip it to an unpainted metal surface, such as the padlock loop on the back of the chassis. If a wrist grounding strap is not available, touch any unpainted metal surface on the back of the computer or on the computer chassis, such as

the power supply, to discharge any static charge from your body before touching anything inside the computer. While you work, periodically touch an unpainted metal surface on the computer chassis to dissipate any static electricity that might harm internal components. Also avoid touching components or contacts on a card and avoid touching pins on a chip.


4. Verify that the standby power light-emitting diode (LED) on the system board is not on. If it is on, you may need to wait 10 to 30 seconds for it to go out (see the [interior service label](#) or [Figure 24](#)).

---

## Restarting the System


To restart the system and reset the chassis intrusion detector, perform the following steps:

1. Replace the computer cover and reconnect the computer and peripherals to their power sources and turn them on.

 **NOTE:** When you start the system, the chassis intrusion detector will cause the following message to be displayed at the next system start-up:

ALERT! Cover was previously removed.

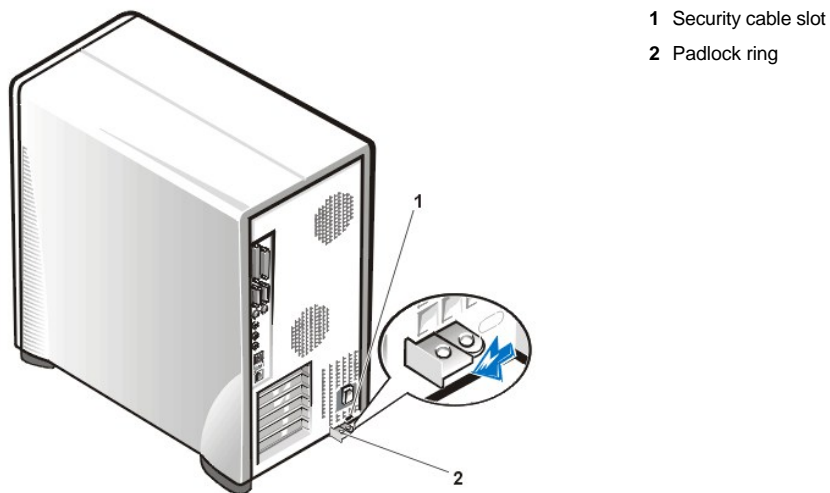
2. To reset the chassis intrusion detector, enter System Setup, select **System Security**, and reset **Chassis Intrusion** to **Enabled** or **Enabled-Silent**.

 **NOTE:** If a setup password has been assigned by someone else, contact the network administrator for information on resetting the chassis intrusion detector.

---

## Computer Cover

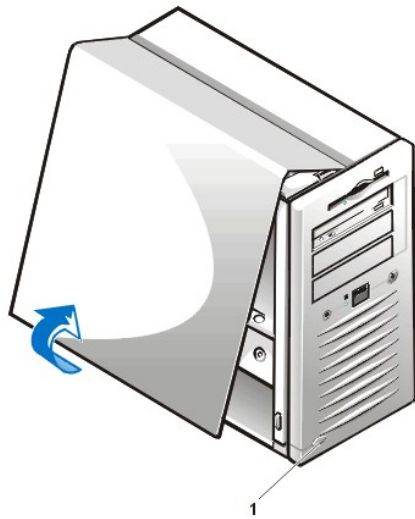
**Figure 1. Padlock Ring Release**



To remove the computer cover, perform the following steps:

1. Turn off your computer and peripherals, and observe the *Caution for Your Personal Safety and Protection of the Equipment* described in "[Precautionary Measures](#)."
2. If you have installed a padlock through the padlock ring on the back panel, remove the padlock and, facing the back of the computer, slide the padlock ring to the left to unlock the cover release mechanism (see [Figure 1](#)).
3. Face the left side cover and press the release button (located at the bottom-left corner of the front panel) (see [Figure 2](#)).

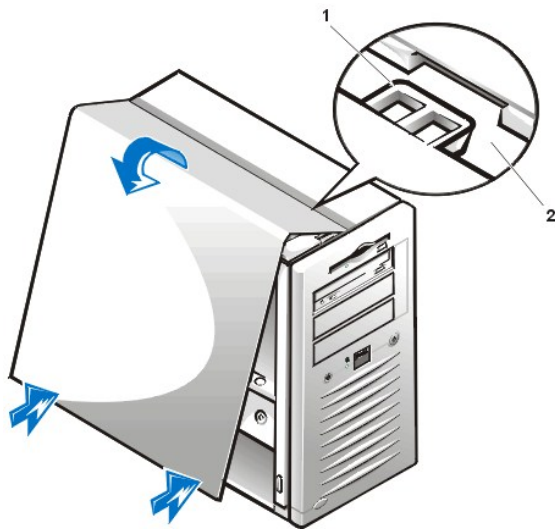
**Figure 2. Computer Cover Removal**



1 Left cover release button

1. Lift the bottom of the cover, allowing it to pivot up toward you, and lift the cover away.

**Figure 3. Computer Cover Replacement**



1 Hook  
2 Recessed slot

To replace the computer cover, perform the following steps:

1. Check all cable connections, especially those that might have come loose during your work. Fold cables out of the way so that they do not catch on the computer cover. Make sure cables are not routed over the drive cage—they will prevent the cover from closing properly.
2. Check to see that no tools or extra parts (including screws) are left inside the computer's chassis.
3. Face the left side of the computer and hold the cover at a slight angle as shown in [Figure 3](#).
4. Align the top of the cover with the top of the chassis and insert the three hooks on the cover into the three recessed slots on the computer chassis.
5. Pivot the cover down toward the bottom of the chassis and into position. Make sure that the securing hooks at the bottom of the cover click into place (you may have to apply pressure to the left and right lower corners of the cover).

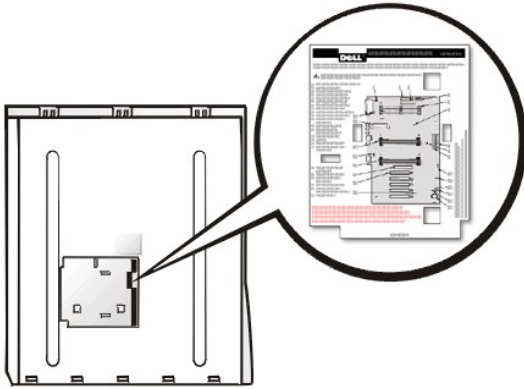
---

### Interior Service Label

Figure 4 shows the interior service label on the inside of the left cover. This label shows the location of components within the chassis and locations of system board components and connectors. It also contains an important notice that provides instructions you need to follow to help prevent damage to your system board while you troubleshoot and service the computer system.



Figure 4. Interior Service Label

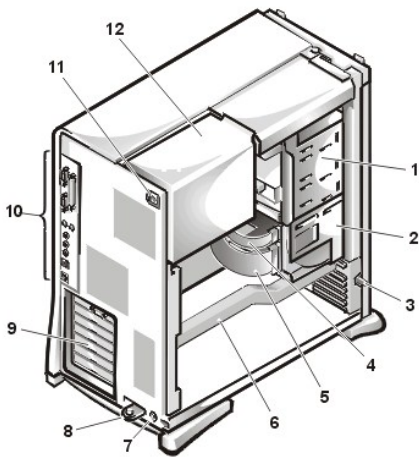


---

### Internal View

Figure 5 shows a top view of the mini tower chassis to help you orient yourself when you work inside the computer.

Figure 5. Inside the Mini Tower Chassis



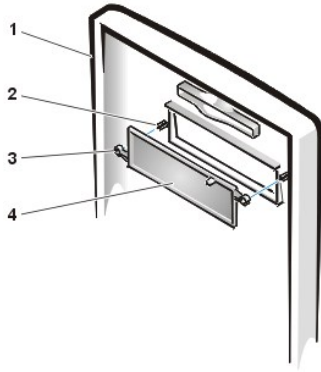
- 1 Externally accessible drive bays
- 2 Hard-disk drive cage
- 3 Chassis intrusion switch
- 4 DC power cable
- 5 Drive data cable
- 6 AGP card brace
- 7 Security cable slot
- 8 Sliding padlock ring
- 9 Expansion card slots
- 10 I/O panel connectors
- 11 AC power receptacle
- 12 Power supply

---

### Front-Panel Inserts

Figure 6 shows a front-panel insert on the inside of the front panel.

Figure 6. 5.25-Inch Front-Panel Insert Removal



- 1 Front panel
- 2 Posts (2)
- 3 Ring tabs (2)
- 4 5.25-inch front-panel insert

To remove a 5.25-inch front-panel insert, perform the following steps:

1. Hold the front panel with the front facing you.
2. From the front of the top cover, use your thumbs to press inward on the insert until it snaps free of the cover.

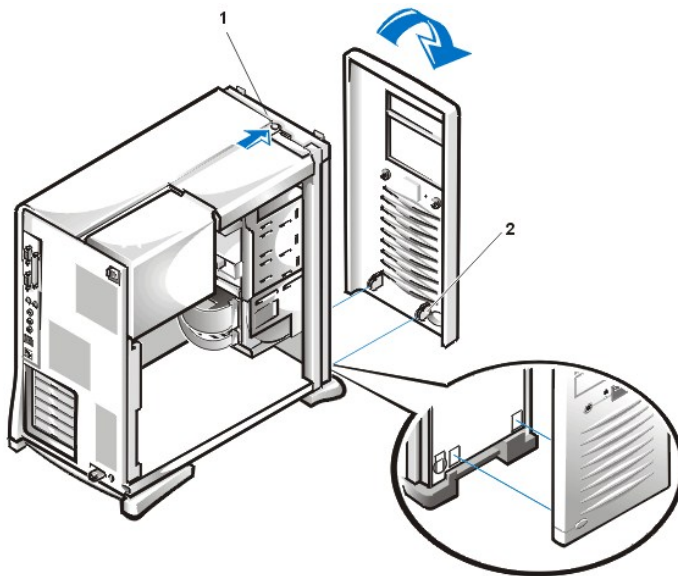
To replace a 5.25-inch front-panel insert, position the two ring-tabs over the posts on the inside of the bay opening, and then press the ring tabs over the posts.

---

## Front Panel

To access the drive bays, you must first remove the front panel. To remove the front panel, you first must remove the computer cover (see ["Computer Cover"](#)). With the cover removed, release the front panel by pressing the green front-panel release button marked with the icon (see [Figure 7](#)).

**Figure 7. Front Panel Removal**



- 1 Front-panel release button
- 2 Retaining hooks (2)

While pressing the green front-panel release button, tilt the top of the front panel away from the chassis and carefully lift the front panel away from the chassis.

To replace the front panel, fit the two retaining hooks on the front panel into their corresponding slots at the bottom of the chassis (see [Figure 7](#)). Then rotate the top of the front panel toward the chassis until the front panel snaps into place.

---

## Drives


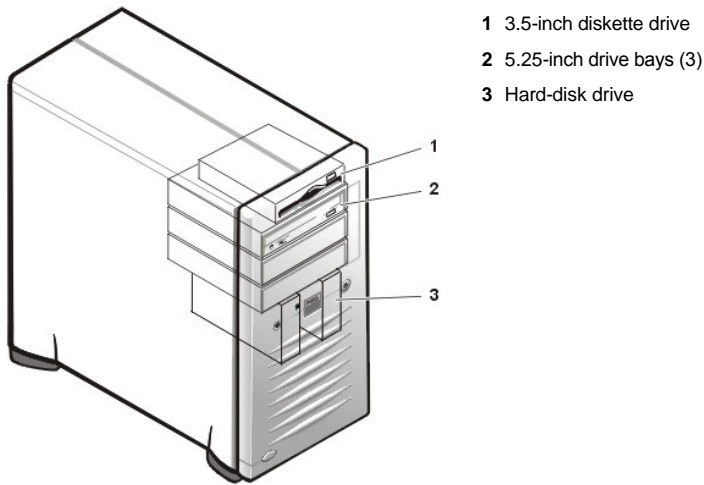
 **NOTE:** In all of the following procedures, left and right refer to your left and right as you face the front of the computer.

Figure 8. Drive Locations



### 3.5-Inch Diskette Drive Removal

To remove the 3.5-inch diskette drive assembly, perform the following steps.

**⚠ CAUTION:** Before you remove the computer cover, see "[Precautionary Measures.](#)"

1. [Remove the computer cover.](#)
2. [Remove the front panel.](#)
3. Disconnect the DC power and data cables from the diskette drive.
4. Press the green retaining tab release button (see [Figure 9](#)) and pull the drive assembly forward to remove it.
5. Remove the mounting screw (see [Figure 10](#)).
6. Rotate the diskette drive upward and lift it free.

When you replace the 3.5-inch diskette drive on the bracket, be sure that the two retaining tabs on the right side of the bracket engage the mounting holes in the side of the 3.5-inch diskette drive. Rotate the drive down. Then replace the screw that holds the diskette drive to the bracket. To replace the 3.5-inch diskette drive assembly in the chassis, slide the retaining tabs into the guides on the chassis until the bracket snaps into place.

Figure 9. 3.5-Inch Diskette Drive Removal

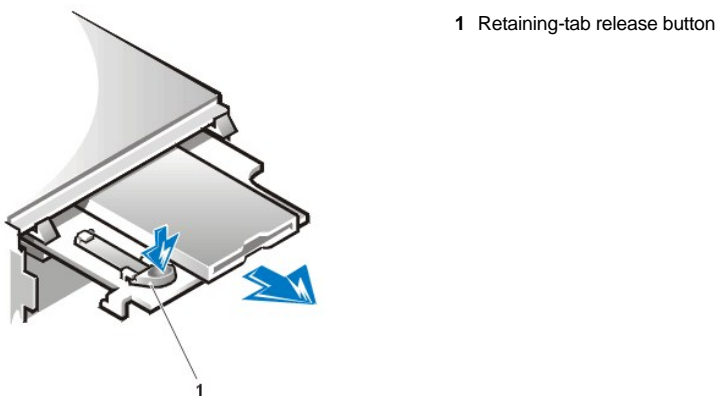
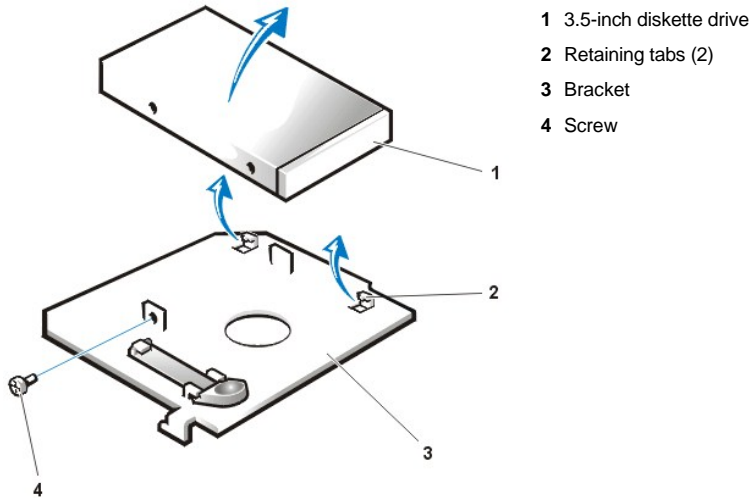


Figure 10. 3.5-Inch Diskette Drive Bracket



### 5.25-Inch Drive Removal

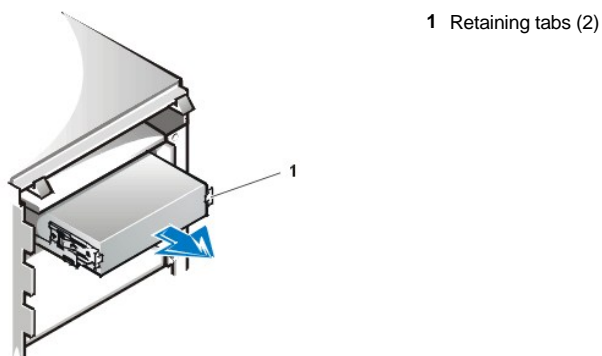
To remove a device from an externally accessible drive bay, perform the following steps.

**⚠ CAUTION:** Before you remove the computer cover, see "[Precautionary Measures](#)."

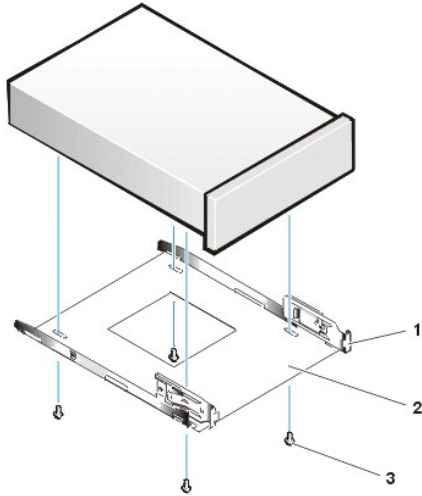
1. [Remove the computer cover](#).
2. [Remove the front panel](#).
3. Disconnect the DC power and data cables from the back of the drive.
4. Squeeze the retaining tabs that extend from each side of the drive bracket and slide the bracket out of the bay (see [Figure 11](#)).
5. Turn the drive assembly upside down and unscrew the four screws that secure the drive to the bracket (see [Figure 12](#)).

To install a 5.25-inch drive, perform the [5.25-inch drive removal](#) procedure in reverse.

**Figure 11. 5.25-Inch Drive Removal**



**Figure 12. Drive Bracket**



- 1 Retaining tabs (2)
- 2 Drive bracket
- 3 Screws (4)

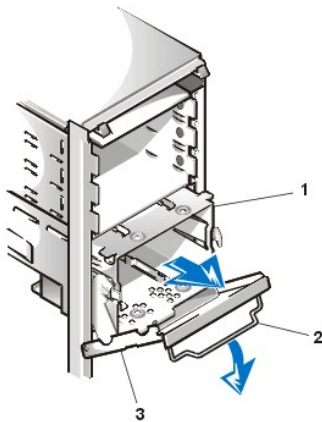
### Hard-Disk Drive Removal

To remove a hard-disk drive, perform the following steps.

**⚠ CAUTION:** Before you remove the computer cover, see "[Precautionary Measures.](#)"

1. [Remove the computer cover.](#)
2. [Remove the front panel.](#)
3. Disconnect the DC power and data cables from the rear of the drive.
4. Lift the drive door handle and open the drive door until it disengages from the hard-disk drive bracket (see [Figure 13](#)).
5. Use two hands to pull the hard-disk drive bracket completely out of the chassis.

**Figure 13. Hard-Disk Drive Bracket Removal**



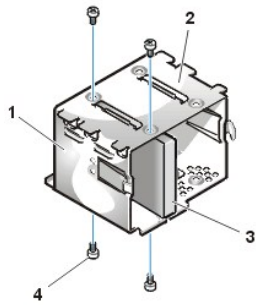
- 1 Hard-disk drive bracket
- 2 Drive door handle
- 3 Drive door

### Hard-Disk Drive Installation

To install a hard-disk drive, perform the following steps:

1. Slide the drive into the chosen bay of the hard-disk drive bracket, oriented so that the connectors on the back of the drive will face the back of the chassis when the hard-disk drive bracket is reinstalled (see [Figure 14](#)).
2. Align the four screw holes of the drive and hard-disk drive bracket. Insert and tighten the screws (see [Figure 14](#)).

**Figure 14. Inserting a Hard-Disk Drive in the Hard-Disk Drive Bracket**

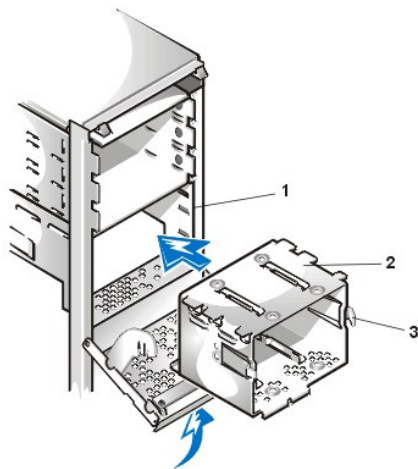


- 1 Hard-disk drive bracket
- 2 Second drive bay
- 3 Drive
- 4 Screws (4)

3. Reinstall the hard-disk drive bracket in the chassis (see [Figure 15](#)).

Insert the hard-disk drive bracket into the drive bay cage by gently sliding it in until the tabs snap into place. Close the drive door until it snaps securely into place. Be sure to fold down the drive door handle so that the front panel can be replaced on the chassis.

**Figure 15. Hard-Disk Drive Bracket Insertion**




- 1 Drive bay cage
- 2 Hard-disk drive bracket
- 3 Tabs

4. Connect a DC power cable to the power input connector on the back of the drive (see [Figure 16](#)).

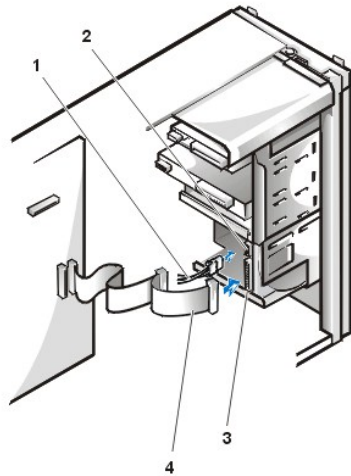
Check all connectors to be certain that they are properly cabled and firmly seated.

5. Connect one of the device connectors on the enhanced integrated drive electronics (EIDE) cable to the 40-pin interface connector on the back of the hard-disk drive.

**NOTICE:** You must match the colored strip on the EIDE cable with pin 1 on the drive's interface connector to avoid possible damage to your system.

 **NOTE:** Ultra ATA/66 hard-disk drives require an 80-conductor cable to transfer data at full speed. The 80-conductor cable has a 40-pin connector just like the Ultra ATA/33 cable but has twice as many wires within the cable itself. If you use an Ultra ATA/33 cable with Ultra ATA/66 hard-disk drives, the drives will transfer data at Ultra ATA/33 speeds.

**Figure 16. Hard-Disk Drive Cable Attachment**



- 1 DC power cable
- 2 Power input connector
- 3 Interface connector
- 4 Data cable

6. If it is not already connected, connect the other end of the EIDE cable to the IDE1 connector on the system board.

**NOTICE:** You must match the colored strip on the EIDE cable with pin 1 on the IDE1 connector to avoid possible damage to your system.

7. [Replace the computer cover](#) and [restart the system](#).
8. If the drive you just installed is the primary drive, insert a bootable diskette into drive A.
9. Enter System Setup, and update **Primary Drive 0** or **Primary Drive 1**.  
After you update the System Setup settings, reboot the system.
10. Partition and logically format your drive before proceeding to the next step.  
See the documentation for your operating system for instructions.
11. Test the hard-disk drive by running the Dell Diagnostics (see the online *System User's Guide* for more information).
12. If the drive you just installed is the primary drive, install your operating system on the hard-disk drive.  
Refer to the documentation that came with your operating system.

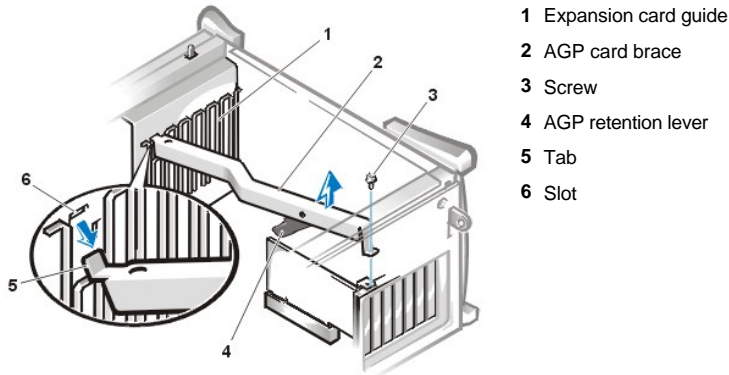
## AGP Card Brace

To access any expansion cards or components on the system board in the mini tower chassis, you must first remove the accelerated graphics port (AGP) card brace that secures an AGP card in the AGP socket.

**⚠ CAUTION:** Before you remove the computer cover, see "[Precautionary Measures](#)."

1. Remove the computer cover as instructed in "[Computer Cover](#)."
2. Remove the screw securing the AGP card brace to the chassis (see [Figure 17](#)).

**Figure 17. AGP Card Brace Removal**



3. Rotate the brace up until it disengages from the card guide at the front of the chassis. Then lift it away from the chassis.


To replace the brace, perform the following steps:

1. Insert the tab on one end of the brace into the slot on the card guide at the front of the chassis (see [Figure 17](#)).
2. Lower the brace, ensuring that the AGP retention lever is aligned with the top of the AGP card.
3. Push down on the AGP card brace and simultaneously depress the AGP retention lever.

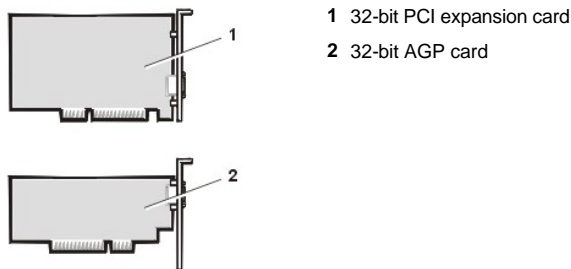
Hold the AGP card brace in place and replace the screw.

## Expansion Cards

The system accommodates up to six expansion cards, including up to five 32-bit Peripheral Component Interconnect (PCI) expansion cards and one 32-bit AGP card. (See [Figure 18](#) for examples of these cards.)

 **NOTE:** Before disconnecting a peripheral from the system or removing a component from the system board, disconnect the system power cord and verify that the standby power LED on the system board is off. For the location of this LED, see [Figure 24](#).

**Figure 18. Expansion Cards**




## Expansion-Card Removal

To remove an expansion card, perform the following steps.

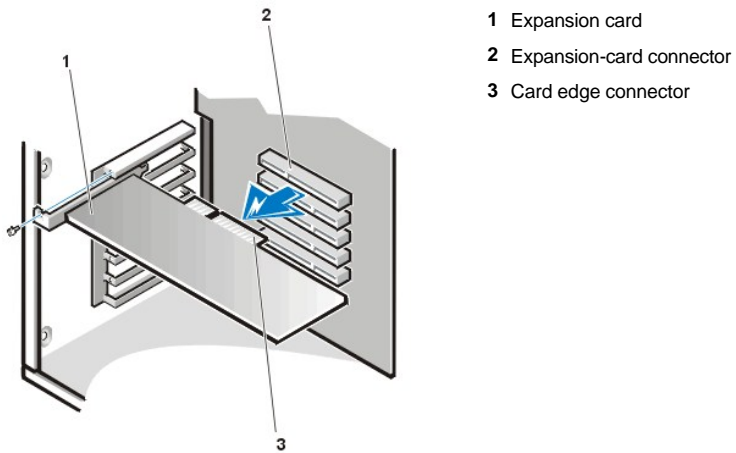
 **CAUTION:** Before you remove the computer cover, see "[Precautionary Measures](#)."

1. [Remove the computer cover](#).
2. Disconnect any cables connected to the card.
3. Unscrew the mounting bracket of the card you want to remove.
4. Grasp the card by its outside corners, and ease it out of its connector.
5. If you are removing the card permanently, install a metal filler bracket over the empty card-slot opening.



 **NOTE:** Installing filler brackets over empty card-slot openings is necessary to maintain Federal Communications Commission (FCC) certification of the system. The brackets also keep dust and dirt out of your computer.

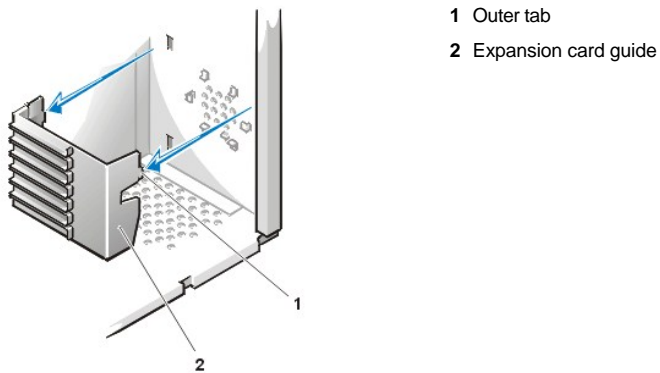
**Figure 19. Expansion Card Removal**



---

## Expansion-Card Guide

**Figure 20. Expansion-Card Guide Removal**



To remove the expansion card guide, perform the following steps.

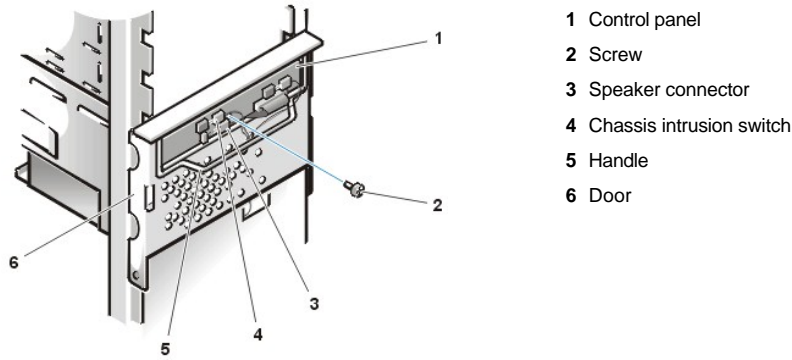
 **CAUTION:** Before you remove the computer cover, see "[Precautionary Measures](#)."

1. Press in on the outer tab, located on the lower-left area on the front of the chassis (see [Figure 20](#)).
2. Rotate the top of the card guide away from the chassis front.

---

## Control Panel

**Figure 21. Control Panel Removal**



To remove the control panel, perform the following steps.

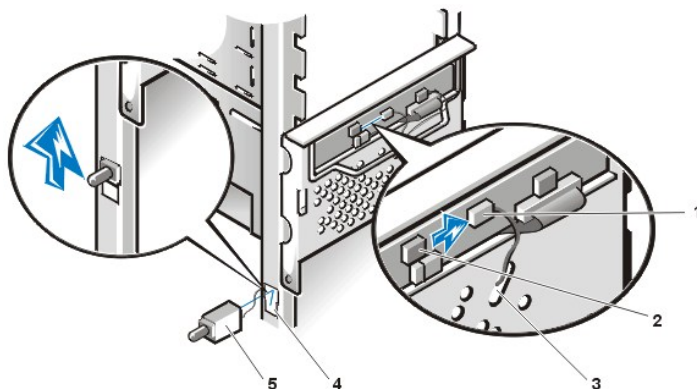
**⚠ CAUTION:** Before you remove the computer cover, see "[Precautionary Measures.](#)"

1. [Remove the computer cover.](#)
2. [Remove the front panel.](#)
3. [Remove the AGP card brace.](#)
4. [Remove all expansion cards.](#)
5. [Remove the expansion card guide.](#)
6. Disconnect the control panel cable from the control panel connector (labeled PANEL) on the system board (see the [interior service label](#) or [Figure 24](#) for the location of the control panel connector).
7. Lift the handle on the drive bay door and open the door.
8. Feed the control panel cable through the opening on the floor of the chassis and the opening in the front of the chassis.
9. Disconnect the speaker and the chassis intrusion switch cables from their control panel connectors.
10. Remove the screw.
11. Lift the control panel and control panel cable free.

To reinstall the control panel, perform the removal procedure in reverse.

## Chassis Intrusion Switch

Figure 22. Chassis Intrusion Switch Removal



- 3 Enlarged hole for cable
- 4 Switch slot
- 5 Chassis intrusion switch

**⚠ CAUTION:** Before you remove the computer cover, see "[Precautionary Measures.](#)"

To remove the chassis intrusion switch and install a replacement, perform the following steps:

1. Disconnect the chassis intrusion switch cable from the control panel (see [Figure 21](#)).

Note the routing of the chassis intrusion cable as you remove the cable from the chassis. The cable is routed through an enlarged hole in the chassis and through a hole in the disk-drive cage door. The chassis intrusion switch is mounted on the left front of the chassis (see [Figure 22](#)).

2. Slide the chassis intrusion switch out of its slot on the chassis and carefully remove the switch and its attached cable from the chassis.
3. Install the replacement chassis intrusion switch and cable.
4. Replace the computer cover. Then reconnect your computer and peripherals to their power sources, and turn them on.

**🔧 NOTE:** After you remove and replace the cover, the chassis intrusion detector will cause the following message to be displayed at the next system start-up:

```
ALERT! Cover was previously removed.
```

5. To reset the chassis intrusion detector, enter System Setup, select **System Security**, and reset **Chassis Intrusion** to **Enabled** or **Enabled-Silent** (see your *User's Guide* for instructions).

---

## System Power Supply

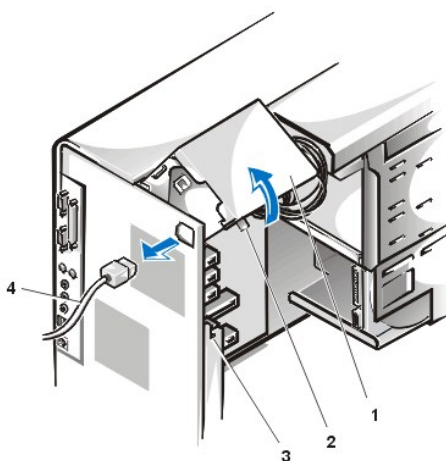
### System Power Supply Rotation

To access some components on the system board, you may have to rotate the system power supply out of the way. To rotate the power supply, perform the following steps.

**⚠ CAUTION:** Before you remove the computer cover, see "[Precautionary Measures.](#)"

1. [Remove the computer cover.](#)
2. Disconnect the AC power cable from the AC power receptacle on the back of the power supply (see [Figure 23](#)).

**Figure 23. System Power Supply Rotation**



- 1 Power supply
- 2 Securing tab
- 3 Release latch
- 4 AC power cable

3. Free the power supply by pressing the securing tab labeled "RELEASE - >," and rotating it upward until it locks in its extended position.

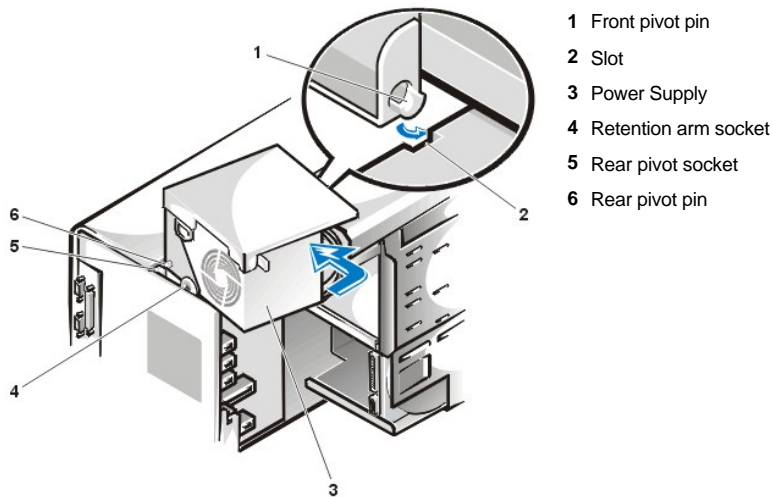
### System Power Supply Removal

To remove the system power supply, perform the following steps:

1. [Rotate the system power supply](#) to its fully extended position.
2. Disconnect the power cables from all drives.
3. Remove the power supply cables from the system board.
4. Lift the front of the power supply until it stops. Then lift the front of the power supply up and away from the chassis.  
The front pivot pin raises in the chassis slot and exits the chassis with this action.
5. Disconnect the two pins on the rear of the power supply from their retaining sockets and lift the power supply out of the chassis.

### System Power Supply Installation

**Figure 24. Power Supply Installation**



To reinstall the system power supply, perform the following steps:

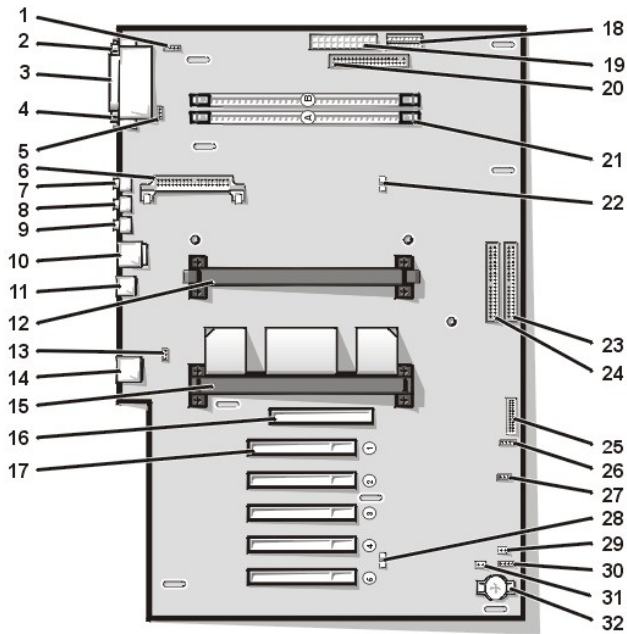
1. Align the power supply's rear pivot pin and retention arm pin in their respective sockets at the rear of the chassis.
2. Lower the front of the power supply so that its front pivot pin engages the slot in the chassis (see [Figure 24](#)).
3. Connect the power cables to all drives.
4. Connect the power supply cables to the system board.
5. Rotate the power supply down until it locks into place in the chassis.

---

### System Board Components

Figure 25 shows the system board and the location of all its sockets and connectors.

**Figure 25. System Board Components**



- 1 CD-ROM drive audio interface connector
- 2 Serial port 1 connector
- 3 Parallel port connector
- 4 Serial port 2 connector
- 5 Fan connector
- 6 VRM connector
- 7 Microphone connector
- 8 Line-out connector
- 9 Line-in connector
- 10 Keyboard and mouse connectors
- 11 USB connectors
- 12 Secondary processor (PROC1) connector
- 13 Telephony connector
- 14 NIC connector
- 15 Primary processor (PROC0) connector
- 16 AGP connector
- 17 PCI expansion card connectors (5)
- 18 3.3-V power connector
- 19 Power connector
- 20 Diskette-drive interface connector
- 21 RIMM sockets (2)
- 22 Suspend-to-RAM LED
- 23 Primary EIDE interface connector
- 24 Secondary EIDE interface connector
- 25 Control panel connector
- 26 External speaker connector (Not Used)
- 27 Remote Wakeup power connector
- 28 Standby power LED
- 29 Password jumper
- 30 Auxiliary hard-disk drive access indicator connector

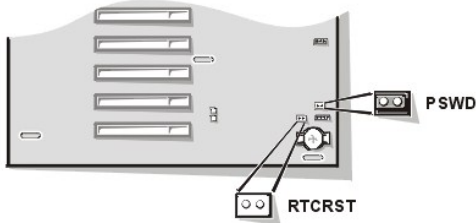
31 RTCRST jumper

32 Battery socket

### System Board Jumpers

Figure 26 shows the location of the jumpers on the system board. [Table 1](#) lists the system board jumpers and their settings.

Figure 26. System Board Jumper








Jumpers are small blocks on a circuit board with two or more pins emerging from them. Plastic plugs containing a wire fit down over the pins. The wire connects the pins and creates a circuit.

**NOTICE: Make sure your system is turned off before you change a jumper setting. Otherwise, damage to your system or unpredictable results may occur.**

To change a jumper setting, pull the plug off its pin(s) and carefully fit it down onto the pin(s) indicated.

Table 1. System-Board Jumper Settings

Jumper	Setting	Description
PSWD	 (default)	Password features are enabled.
		Password features are disabled.
RTCRST		Real-time clock reset. Can be used for troubleshooting purposes.

 jumpered  unjumpered

### System Board Labels

Table 2 lists the labels for connectors and sockets on your system board, and it gives a brief description of their functions.


Table 2. System Board Connector and Socket Labels

Connector or Socket Label	Description
AUX_LED	Hard-disk drive LED connector
BATT	Battery socket
CD_IN	CD-ROM audio interface connector
RIMM_x	RIMM socket
DSKT	Diskette/tape drive interface connector
ENET	Integrated NIC connector
EXT_SPKR	External speaker connector
FAN	Microprocessor fan connector
IDE <sub>n</sub>	EIDE interface connector
INTRUSION	Chassis intrusion switch connector
KYBD	Keyboard connector
MONITOR	Video connector
MOUSE	Mouse connector
PANEL	Control panel connector
PAR	Parallel port connector; sometimes referred to as <i>LPT1</i>

PCIn	PCI expansion-card connector
POWER_1	Main power input connector
POWER_2	3.3-V power input connector
PROC_0	Primary microprocessor connector
PROC_1	Secondary microprocessor connector
SER	Serial port connectors
STANDBY	Standby power LED
STR	Suspend-to-RAM LED
USB	USB connectors
TAPI	Telephony connector
WUOL	Remote Wakeup power connector

## RIMMs

To remove a Rambus in-line memory module (RIMM), perform the following steps.

 **NOTE:** Before disconnecting a peripheral from the system or removing a component from the system board, disconnect the system power cord and verify that the standby power LED on the system board is off. For the location of this LED, see [Figure 25](#).

 **CAUTION:** Before you remove the computer cover, see "[Precautionary Measures](#)"

1. [Remove the computer cover](#).
2. [Rotate the system power supply](#) to allow you to access the RIMMs.
3. Press the securing clips outward simultaneously until the RIMM disengages and pops out slightly from the socket (see [Figure 27](#)).

**Figure 27. RIMM Removal**

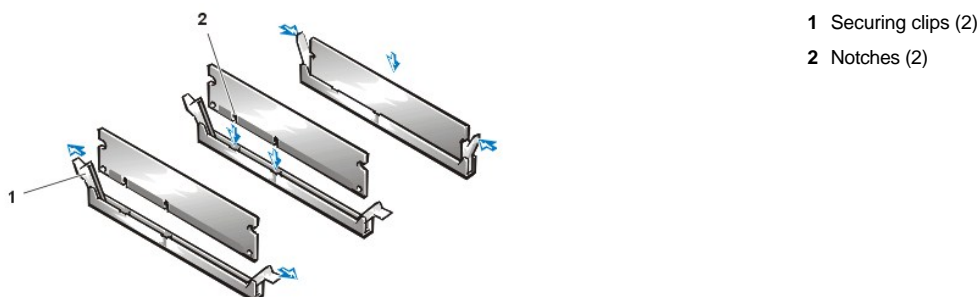


To reinstall a RIMM, perform the following steps.

1. Locate the plastic securing clips at each end of the socket (see [Figure 28](#)).
2. Press the clips outward until they snap open.
3. Press the RIMM straight into the slot running down the center of the socket until the securing tabs snap into place around the ends of the RIMM.


After you [replace the computer cover](#) and [restart the system](#), run the Dell Diagnostics to verify that the RIMMs are operating properly.

**Figure 28. RIMM Installation**



## Microprocessor/Heat Sink Assembly

To replace a microprocessor, perform the following steps.

 **NOTE:** Before disconnecting a peripheral from the system or removing a component from the system board, disconnect the system power cord and verify that the standby power LED on the system board is off. For the location of this LED, see [Figure 25](#).

 **CAUTION:** Before you remove the computer cover, see "[Precautionary Measures](#)"

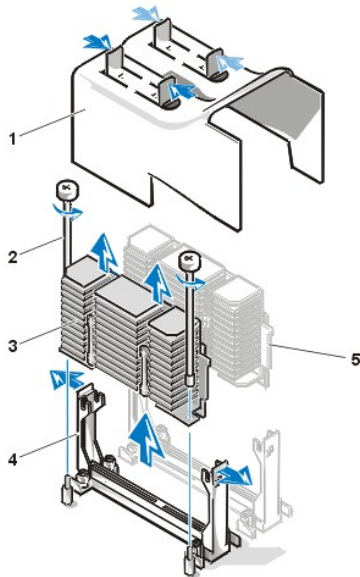
1. [Remove the computer cover.](#)
2. Remove the airflow shroud.

Squeeze in on the two pairs of tabs on the shroud and lift it away.

3. Remove the existing microprocessor from its connector.

Press outward on the guide bracket tabs to release them from the processor/heat sink assembly. Then pull the processor/heat sink assembly out of its connector (see [Figure 29](#)). You must use up to 15 lb of force to disengage the processor from the connector.

**Figure 29. Microprocessor Removal**

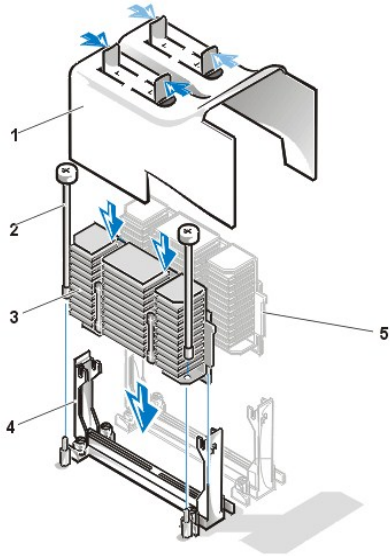


- 1 Airflow shroud
- 2 Thumbscrews (2)
- 3 Processor/heat sink assembly
- 4 Guide bracket
- 5 Second processor (terminator card if a second processor is not present)

To install a replacement microprocessor and heat sink assembly, perform the following steps:

**Figure 30. Microprocessor Replacement**





- 1 Airflow shroud
- 2 Thumbscrews (2)
- 3 Processor/heat sink assembly
- 4 Guide bracket
- 5 Second processor (terminator card if a second processor is not present)

1. Insert the new microprocessor into the system board connector.

Press the processor firmly into its connector until it is fully seated. You must use up to 25 lb of force to fully seat the processor in its connector.

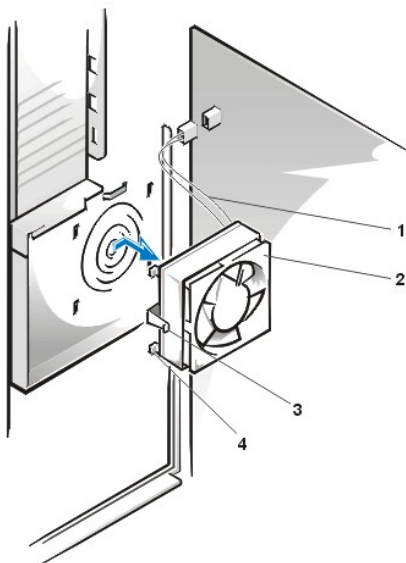
2. Replace the airflow shroud.

Squeeze in on the two pairs of tabs on the shroud, align it with the slots in the microprocessor fan, and lower it into place.

3. After you [replace the computer cover](#) and [restart the system](#), run the Dell Diagnostics to verify that the new microprocessor is operating correctly.

## Microprocessor Cooling Fan

Figure 31. Microprocessor Cooling Fan Removal



- 1 Fan power cable
- 2 Fan
- 3 Plastic lock
- 4 Latching tabs (4)

To remove the microprocessor cooling fan, perform the following steps:

1. [Remove the computer cover.](#)
2. [Rotate the system power supply.](#)

3. Remove the airflow shroud.

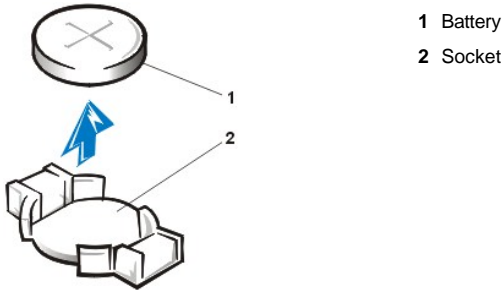
Squeeze in on the two pairs of tabs on the shroud and lift it away.

4. Disconnect the fan power cable from the microprocessor fan connector (see [Figure 31](#)).
5. Gently pull the plastic lock, and push down on the fan to disengage the four latching tabs holding the fan to the back of the chassis.
6. Pull the fan forward to remove it.


---


## System Battery

Figure 32. System Battery Removal



To remove the system battery, perform the following steps.

 **NOTE:** Before disconnecting or removing a battery from the system board, disconnect the system power cord and verify that the standby power LED on the system board is off. For the location of this LED, see [Figure 25](#).

 **CAUTION:** There is a danger of the new battery exploding if it is incorrectly installed. Replace the battery only with the same or equivalent type recommended by the manufacturer. Discard used batteries according to the manufacturer's instructions.

 **CAUTION:** Before you remove the computer cover, see "[Precautionary Measures](#)"

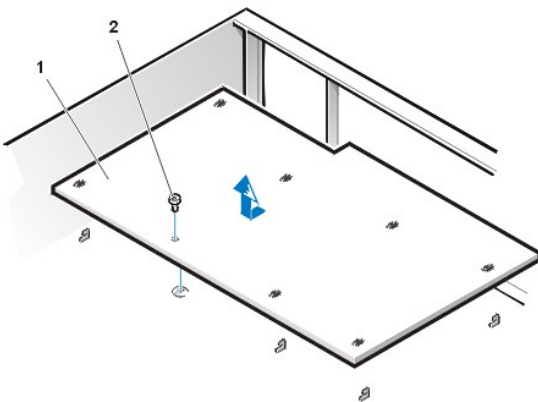
1. If possible, enter System Setup and print the System Setup screens.
2. [Remove the computer cover.](#)
3. Remove the system battery by carefully prying it out of its socket with your fingers or with a blunt, nonconducting object such as a plastic screwdriver.

When you replace the system battery, orient the new battery with the "+" facing up. Insert the battery into its socket and snap it into place.


---

## System Board

Figure 33. System Board Removal



To remove the system board, perform the following steps.

 **NOTE:** Before disconnecting a peripheral from the system or removing a component from the system board, disconnect the system power cord and verify that the standby power LED on the system board is off. For the location of this LED, see [Figure 25](#).

 **CAUTION:** Before you remove the computer cover, see "[Precautionary Measures](#)"

1. [Remove the computer cover.](#)
2. Disconnect all cables from their connectors at the back of the computer.
3. [Rotate the system power supply.](#)
4. Disconnect all cables from the system board.
5. [Remove the RIMMs.](#)
6. [Remove the airflow shroud, the primary processor, and the secondary processor or terminal card.](#)
7. [Remove the AGP card brace](#) and the AGP video card.
8. [Slide all externally accessible drives and brackets partially out of the chassis.](#)
9. [Slide the hard-disk drive bracket partially out of the chassis.](#)
10. [Remove the microprocessor cooling fan.](#)
11. Remove the screw that secures the system board to the bottom of the chassis.
12. Slide the system board toward the front of the chassis until it stops.
13. Carefully raise the front of the system board and lift the board out of the chassis at an angle.

To replace the system board, perform the following steps:

1. Carefully replace the system board in the chassis by performing step 11 through 13 of the removal process in reverse.
2. Push down near each slot to engage the grounding clip onto its corresponding tab.
3. Push evenly on both sides of the system board as you slide and lock it into position (do not twist the system board).
4. Reinstall the mounting screw.
5. Reinstall all components on the system board by performing steps 4 through 10 of the removal process in reverse.
6. Set the jumpers on the new system board so that they are identical to those on the old board, unless you are installing a microprocessor upgrade.
7. Replace the computer cover, connect cables, and turn on the power. Run the System Setup program to ensure your settings are correct and all system board components are correctly reported.
8. Run the Dell Diagnostics.

---

[Back to Contents Page](#)